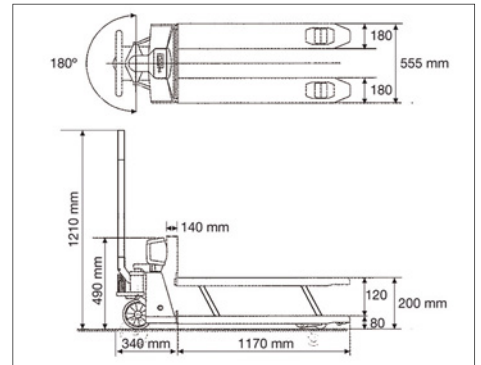


Pallet truck scale KERN VFB



Pallet truck scale with integrated rechargeable battery pack

Features

- **PRE-TARE function** for manual deduction of a known container weight (e.g. pallet, mesh crate etc.), this value can be stored
- **Load cells:** Protection against dust and water splashes IP67, temporary use in wet areas is possible
- **Pivot range 180°**
- **Castors:** Solid rubber on aluminium rims
- **Load rollers:** Tandem tyres to overcome thresholds and obstacles more easily. Material: Polyurethane
- **Net/gross weight:** to control the consumed weighing range at the touch of a key
- **Totalising** of weights
- **Rechargeable battery pack internal,** standard, operating time up to 40 h without backlight, charging time approx. 12 h

Technical data

- Backlit LCD display, digit height 22 mm

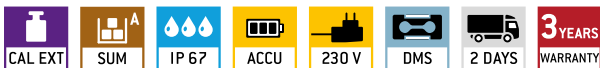
Accessories

- **Protective working cover** over the display device, can be retrofitted, KERN VFB-A01

Note: As standard, the unit is dispatched without the shaft and display fitted. The shaft and display can be fitted at our factory for an additional cost, delivery + 2 working days, KERN VFS-M01
Please state when ordering

Shipment via freight forwarder. Please ask for dimensions, gross weight, shipping costs

STANDARD



OPTION



only with VFS-M01

Model	Weighing range	Readout	Net weight	Permissible ambient temperature	Option	
					DAkKS KERN	DAkKS Calibr. Certificate
KERN VFB 2T-3	[Max] kg 2000	[d] kg 1	approx. kg 126	°C -10 °C / 40 °C	963-131	

KERN Pictograms

 Internal adjusting: Quick setting up of the balance's accuracy with internal adjusting weight (motordriven).	 Recipe level A: Separate memory for the weight of the tare container and the recipe ingredients (net total).	 Suspended weighing: Load support with hook on the underside of the balance.
 Adjusting program CAL: For quick setting up of the balance's accuracy. External adjusting weight required.	 Recipe level B: Internal memory for complete recipes with name and target value of the recipe ingredients. User guidance through display.	 Battery operation: Ready for battery operation. The battery type is specified for each device.
 Memory: Balance memory capacity, e.g. for article data, weighing data, tare weights, PLU etc.	 Recipe level C: Internal memory for complete recipes with name and target value of the recipe ingredients. User guidance through display. Additional convenient functions, such as barcode and back calculation functions.	 Rechargeable battery pack: Rechargeable set.
 Data interface RS-232: To connect the balance to a printer, PC or network.	 Totalising level A: The weights of similar items can be added together and the total can be printed out.	 Mains adapter: 230V/50Hz in standard version for EU. On request GB, AUS or USA version available.
 RS-485 data interface: To connect the balance to a printer, PC or other peripherals. High tolerance against electromagnetic disturbance.	 Totalising level C: Internal memory for complete recipes with name and target value of the recipe ingredients. User guidance through display. Additional convenient functions, such as barcode and back calculation.	 Power supply: Integrated in balance. 230V/50Hz standard EU. More standards e.g. GB, AUS or USA on request.
 USB data interface: To connect the balance to a printer, PC or other peripherals.	 Strain gauges: Electrical resistor on an elastic deforming body.	
 Bluetooth data interface: To transfer data from the balance to a printer, PC or other peripherals.	 Tuning fork principle: A resonating body is electromagnetically excited, causing it to oscillate.	
 WLAN data interface: To transfer data from the balance to a printer, PC or other peripherals.	 Percentage determination: Determining the deviation in % from the target value (100 %).	 Electromagnetic force compensation: Coil inside a permanent magnet. For the most accurate weighings.
 Control outputs (optocoupler, digital I/O): To connect relays, signal lamps, valves, etc.	 Weighing units: Can be switched to e.g. non-metric units at the touch of a key. See balance model. Please refer to KERN's website for more details.	 Single cell technology: Advanced version of the force compensation principle with the highest level of precision.
 Interface for second balance: For direct connection of a second balance.	 Weighing with tolerance range: Upper and lower limiting values can be programmed individually for e.g. dosing, sorting and portioning.	 Verification possible: The time required for verification is specified in the pictogram.
 Network interface: For connecting the scale to an Ethernet network. With KERN products you can use a universal RS-232/LAN converter.	 Vibration-free weighing: (Animal weighing program) When the weighing conditions are unstable, a stable weight is calculated as an average value.	 DAkkS calibration possible: The time required for DAkkS calibration is shown in days in the pictogram.
 GLP/ISO log: The balance displays the weight, date and time, regardless of a printer connection.	 Protection against dust and water splashes IPxx: The type of protection is shown in the pictogram. For details see the glossary.	 Package shipment: The time required for internal shipping preparations is shown in days in the pictogram.
 GLP/ISO log: With weight, date and time. Only with KERN printers, see "Accessories"	 ATEX explosion protection: Suitable for use in hazardous industrial environments, in which there is explosion danger. The ATEX marking is specified for each device.	 Pallet shipment: The time required for internal shipping preparations is shown in days in the pictogram.
 Piece counting: Reference quantities selectable. Display can be switched from piece to weight.	 Stainless steel: The balance is protected against corrosion.	 Warranty: The warranty period is shown in the pictogram.

Precision is our business

To ensure the high precision of your balance KERN offers you the the appropriate test weight in the international OIML error limit classes E1-M3 from 1 mg - 2000 kg. In combination with a DAkkS calibration certificate the best pre-requisite for proper balance calibration.

The KERN DAkkS calibration laboratory today is one of the most modern and best-equipped DAkkS calibration laboratories for balances, test weights and force-measurement in Europe.

Your KERN specialist dealer:

Thanks to the high level of automation, we can carry out DAkkS calibration of balances, test weights and force-measuring devices 24 hours a day, 7 days a week.

Range of services:

- DAkkS calibration of balances with a maximum load of up to 6 t
- DAkkS calibration of weights in the range of 1 mg - 500 kg
- Database supported management of checking equipment and reminder service
- Calibration of force-measuring devices
- DAkkS calibration certificates in the following languages D, GB, F, I, E, NL